

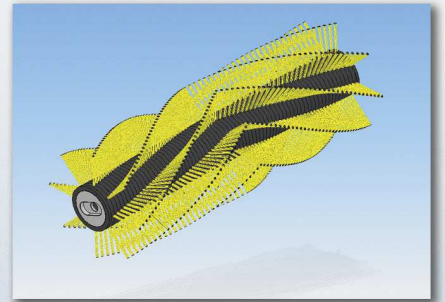
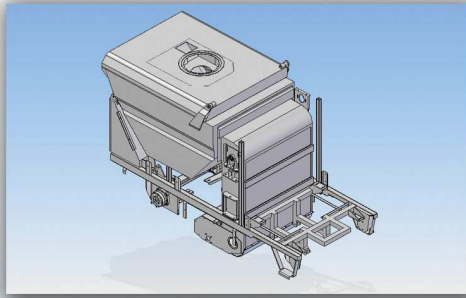
SELF-PROPELLED DRAG & SUCTION STREET SWEEPER

ANTOLI 1500 L



SWEEPER MACHINE

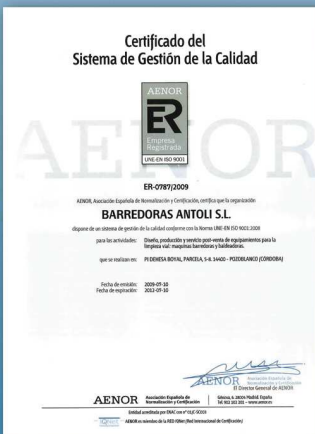
ANTOLI 1500 L



DESING



MANUFACTURE

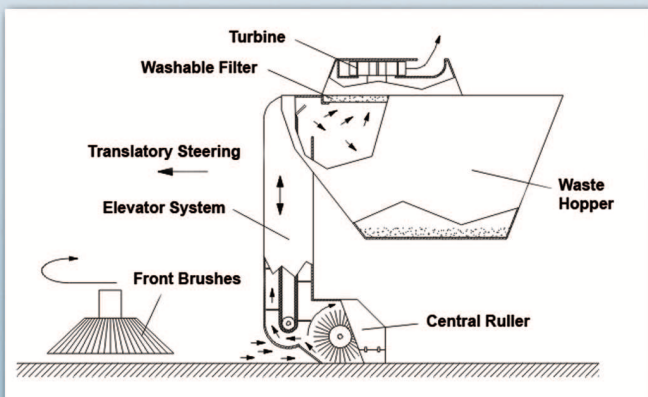


QUALITYD

MAINTENANCE

PRESENTATION:

In his 2nd. Generation, the new sweeper Drag & Suction ANTOLI L. 1500, reaffirmed as the most versatile, compact and powerful. Thanks to your system drag and suction makes it a very effective sweeper to remove all types of waste regardless the volume thereof. this 2nd. generation has redesigned the cabin for full and complete visibility of the swept area. It also incorporates a new engine greener.



DISCHARGE:

Draining waste by turning hydraulic, adapted to containers standards. Discharge height: 1,400 mm.

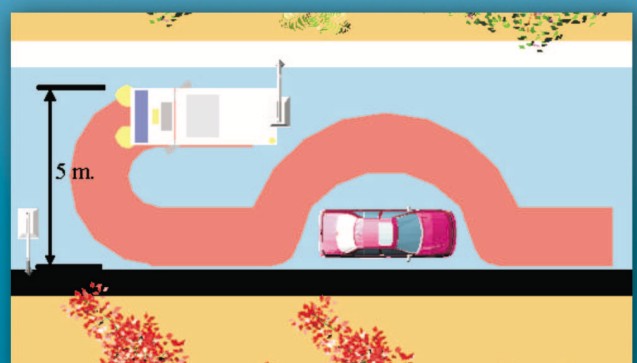


INSIDE:

Large comfortable indoor area with excellent visibility through the large front and side windows. With tilt adjustable steering wheel, versatile and comfortable, easy to drive despite its limited size.

MANEUVERABILITY:

Thanks to its technical features and compact desing, this street sweeper has great maneuverability, allowing it to get into difficult places for efficient sweeping.



Technical Features**ANTOLI 1500 L.****Features and Weight.**

Length / Width / Height.	3.880 / 1.475 / 2.300 mm
Distance between axles.	1.830 mm
TARA / MMA / Payload.	2.400 / 4.000 / 1.600 Kg.

Engine.

Mark / Model.	Kubota / V2403-M-E3B
Cylinder Capacity / Cylinder.	2.434 cm ³ / 4 in line.
Power.	36,5 Kw. 50 CV to 2.600 rpm
Fuel.	Diesel

Emissions Regulations. EPA Tier 4. EU Stage 3A. Meets Directive 2004/26 CEE.

Transmission.

Type / Traction.	Hydrostatic / To back wheels with independent engine each wheel
Speed: Work / Displacement.	from 0 to 15 Km/h / Maximum 25 Km/h.
Maximum slope.	25%

Brakes.

System Brake & Emergency.	Hydrostatic to back wheels, and Hydraulic by pedal and drum brake to front wheels.
Parking.	Hydraulic means of electrical switch.

Steering & Chassis.

Chassis.	Made in steel tube ST-52.
Steering / Turn	Hydraulic / Turn in front axle.

Axles, Suspension & Tires.

Front / Back.	2 steering wheels / 2 driving wheels
Suspension.	Front axle by crossbows. / Rigid Back axle
Tires.	6.90 / 6.00 – 9. 10PR.

Electric System & Illumination.

Battery/ Alternator.	12 V 92 Ah / 12 V 70 A.
Illumination.	Conforms to highway regulations.

Sweep System.

Mixed suction and drag system	Mixed suction and drag system.
Elevator Waste.	Elevator with steel blade and rubber. Chain long finned
Works output.	22.000 m ² /h.

Brushes.

Quantity / Dimensions / Speed.	2 Standard side brushes / Ø 900 mm / from 0 to 200 rpm.
Brushes mobility.	Means Joystick with independent mobility.
Safety.	Floating and retractable brush to impact.
Central Roller	Central Roller natural Nylon, adjustable floor.
Sweeping Width.	From 1.450 to 2.200 mm.

Hopper.

Hopper / Capacity.	Made in corrosion resistant material / Gross Capacity 1.500 Liters.
Turn On Tilt.	With turn on tilt hydraulic / Height 1.400 mm.
Safety.	It offers manual lifting of emergency.

Irrigation System

Water Tank / Capacity.	Made in corrosion resistant material / 350 Liters of fresh water.
Irrigation.	By electric pump, with diffusers brushes.
High pressure cleaning system	From 0-125 bar, lance pistol and automatic reel with 15 m hose.

Cabin.

Cabin.	Comfortable with acoustic and thermal isolation and suspension.
Places.	2 squares. Totally adjustable driver's seat.
Visibility / Mirrors	Large glass area and total visibility of brushes / 2 retractable.
Comfort.	Air conditioning and heating. Adjustable steering wheel. Radio CD.
Instrumentation.	Ergonomically positioned and optimum performance and visibility to the operator.

Optional Equipments.

Monitoring equipment and camera for rear vision.
Third front extendible brush.

It fulfills safety norms (safety in machines) 98/37CEE and 89/392 CEE.

This catalogue is subject to modifications without previous notice.



BARREDORAS ANTOLI S.L.

Polg. Ind. Dehesa Boyal, N° 5-8.

Apartado Correos N° 49.

14400 - POZOBLANCO (Córdoba) ESPAÑA.

Teléfono +34 957 770 439 Fax (+34) 957 770 491.

Web: www.barredorasantoli.com

E-mail: barredorasantoli@telefonica.net

